

# LED WALL WASHER LIGHT

L01A-24A/I8A/I2A/9A

Mounting instruction

**GB**  
7000

**IEC**  
60598

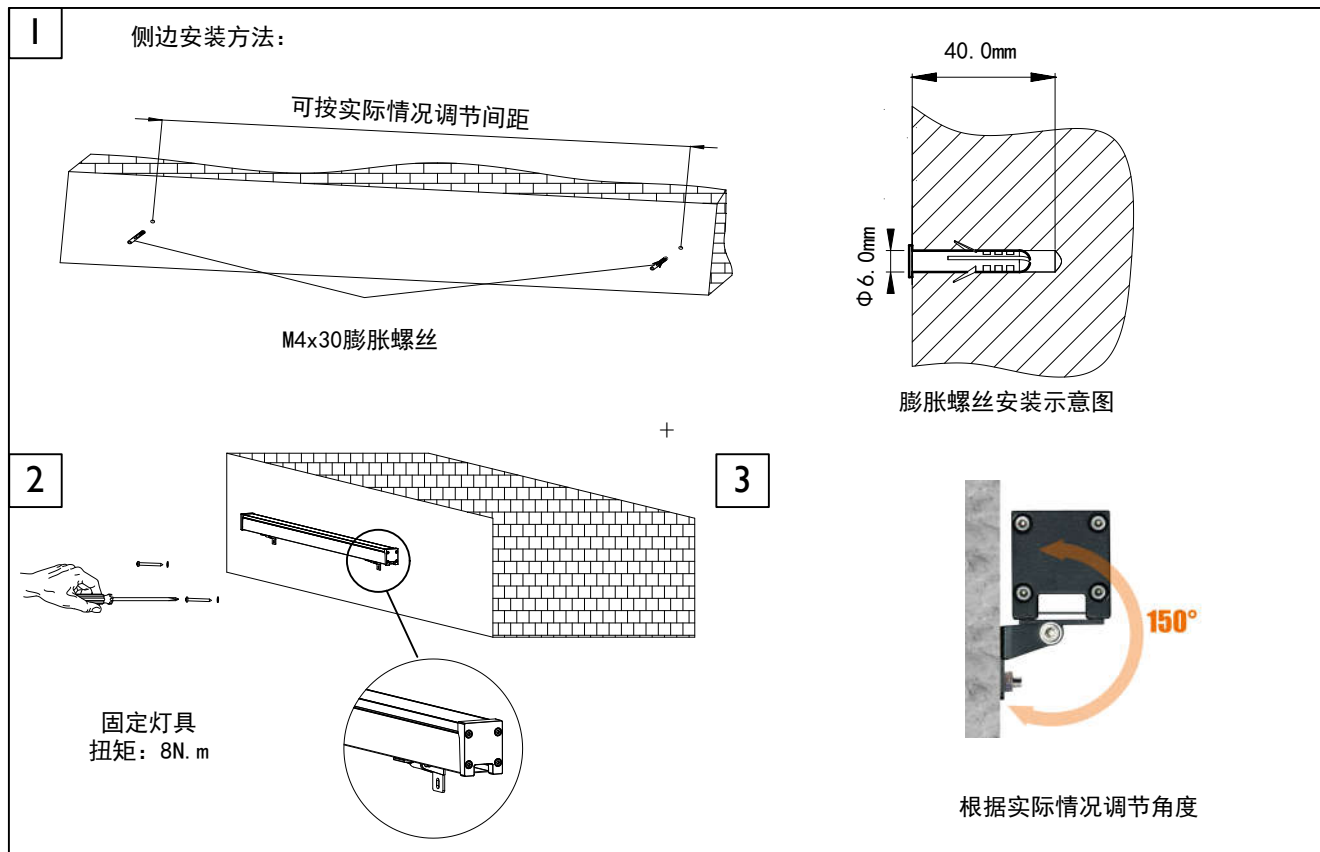
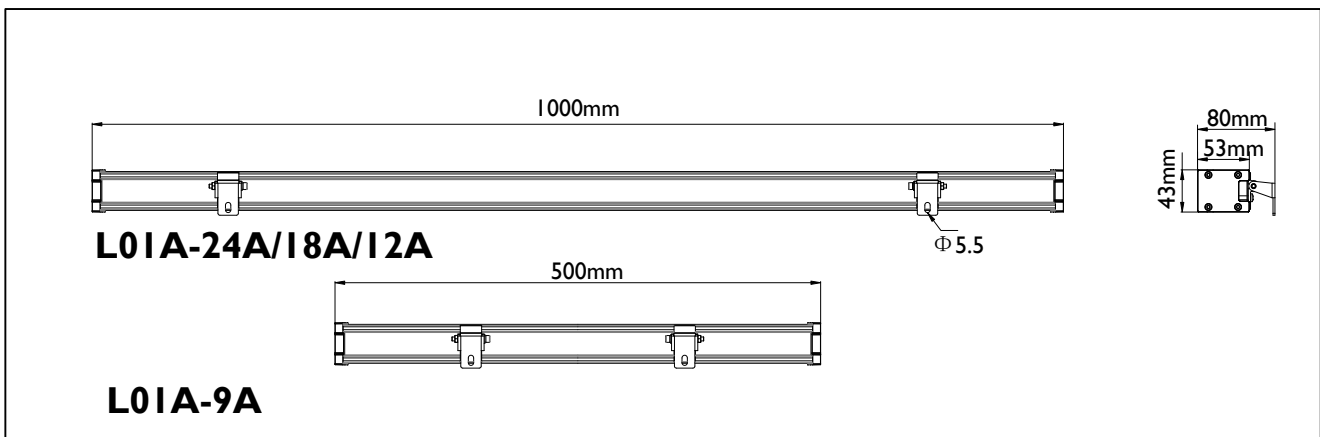


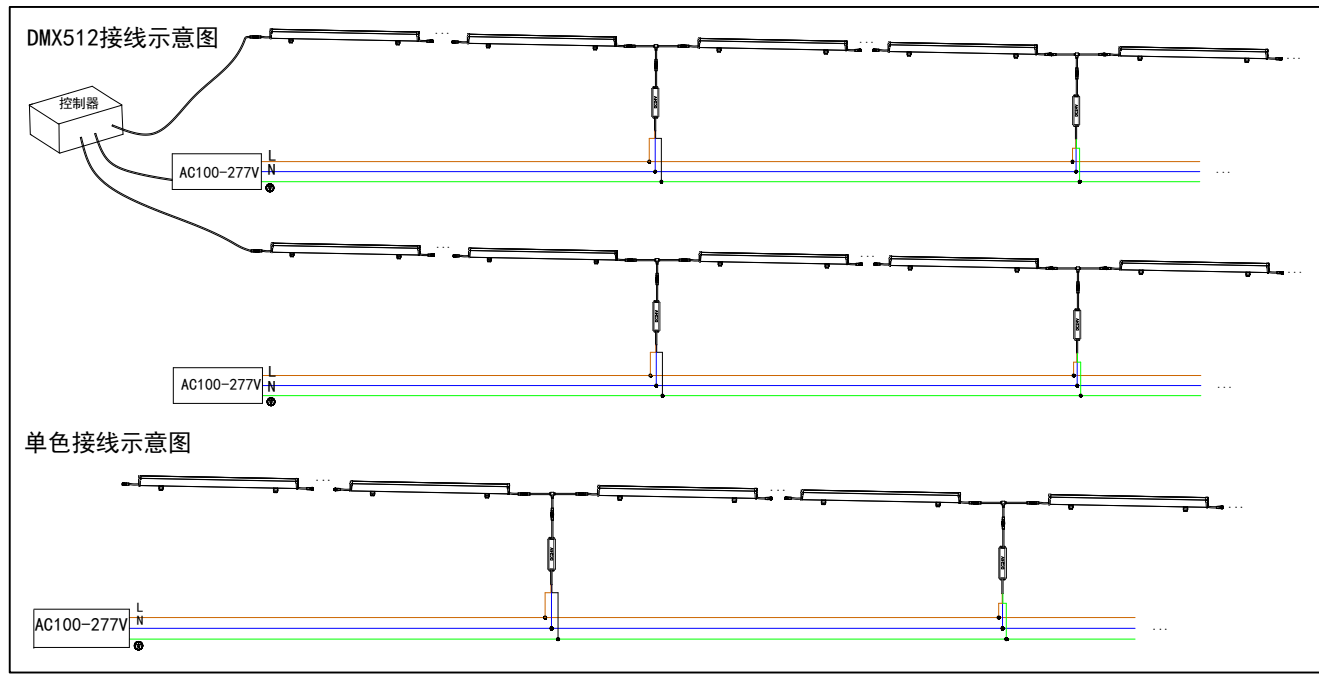
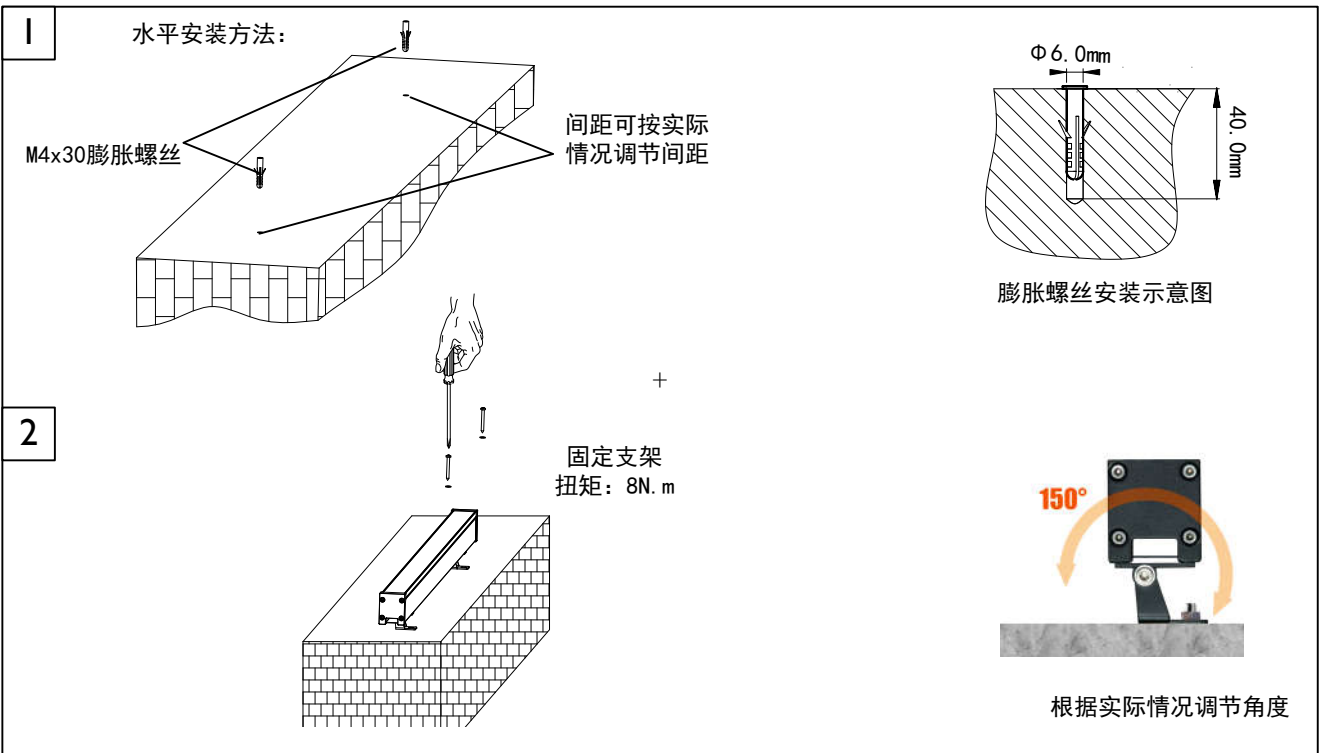
**IP66**


**ta**  
50°

**CE**

Type Number 产品型号	LEDs 颗粒数	Power 功率	Voltage 电压	CT 色温	Weight
L01A-24A	24	48W	DC24V	3000/4000/5000/RGB	2.2
L01A-18A	18	36W	DC24V	3000/4000/5000/RGB	2.1
L01A-12A	12	26.4W	DC24V	3000/4000/5000/RGB	1.9
L01A-9A	9	19.8W	DC24V	3000/4000/5000/RGB	1.0





- 
1. The luminaire shall be installed by a qualified electrician and wired in accordance with the latest IEE electrical regulations or the national requirements.  
灯具应由有资格的电工安装，接线要符合IEE电气标准或国家标准。
  2. No supplied water-proof box, installation should be advised by qualified professional.  
不提供防水接线盒，安装应征求有资格的人的建议。
  3. The external flexible cable can not be replaced. If the cable is damaged, the luminaire should be discarded.  
灯具外部软线不可替换，如有损坏，灯具报废。