

# LED PROJECTOR LIGHT

L02A-009B/006B/004B/003B/002B

Mounting instruction

**GB**  
7000

**IEC**  
60598

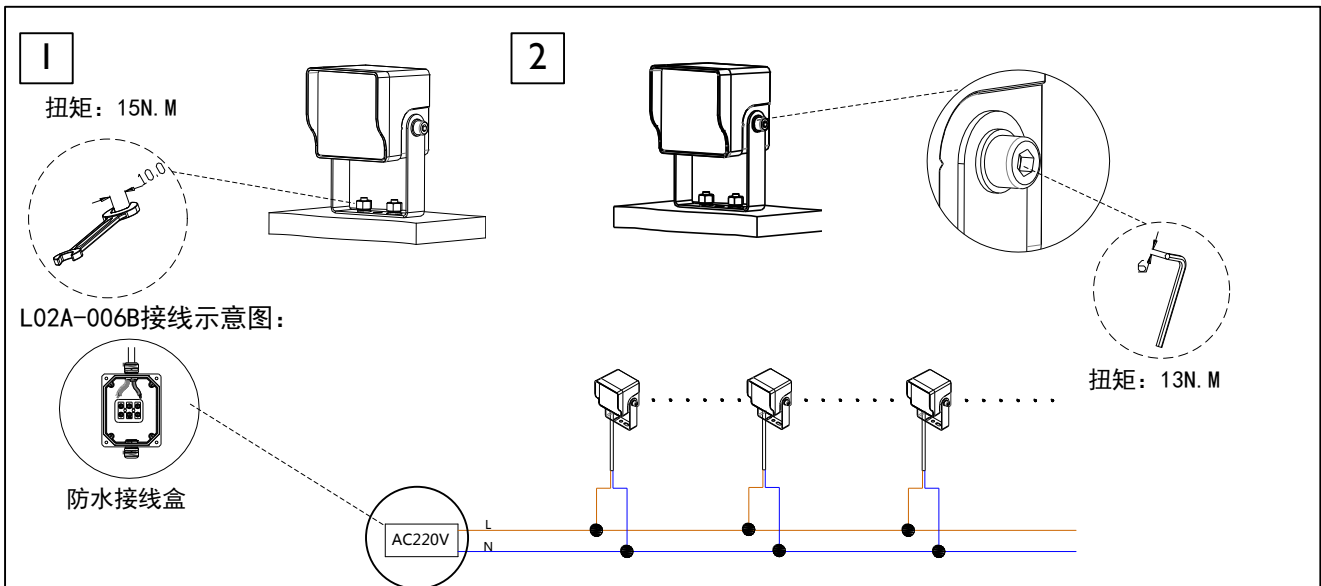
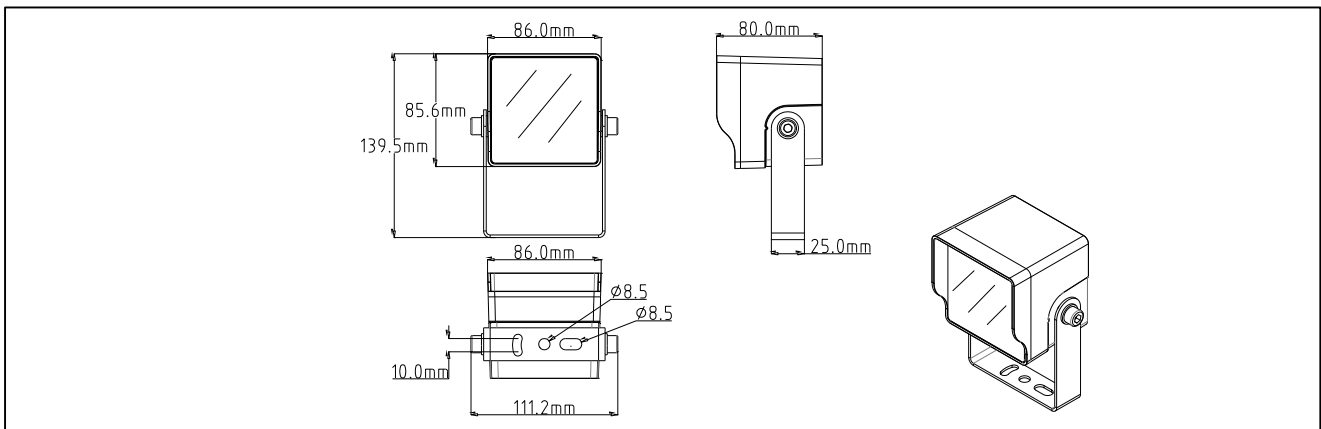


**IP66**

**ta**  
50°

**CE**

Type Number 产品型号	LEDs 颗粒数	Power 功率	Voltage 电压	CT 色温	
L02A-002B	2	2W/4W	AC220V	3000K/4000K/5000K	0.75
L02A-003B	3	6W	AC220V	3000K/4000K/5000K	0.75
L02A-004B	4	4W/8W	AC220V	3000K/4000K/5000K	0.75
L02A-006B	6	12W	AC220V	3000K/4000K/5000K	0.75
L02A-009B	9	10W	AC220V	3000K/4000K/5000K	0.75



1. The luminaire shall be installed by a qualified electrician and wired in accordance with the latest IEE electrical regulations or the national requirements.

灯具应由有资格的电工安装，接线要符合IEE电气标准或国家标准。

2. No supplied water-proof box, installation should be advised by qualified professional.

不提供防水接线盒，安装应征求有资格的人的建议。

3. The external flexible cable can not be replaced. If the cable is damaged, the luminaire should be discarded.

灯具外部软线不可替换，如有损坏，灯具报废。